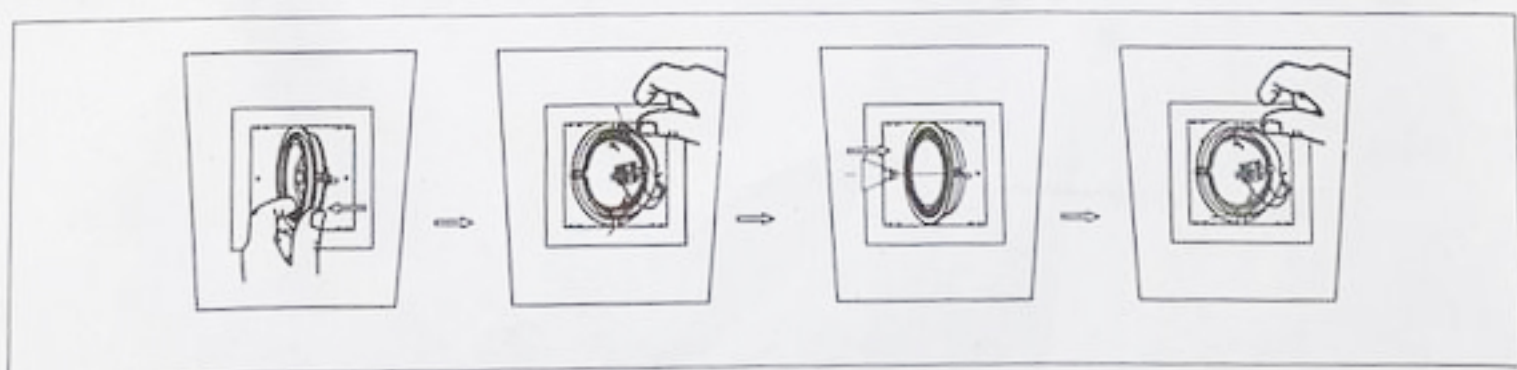
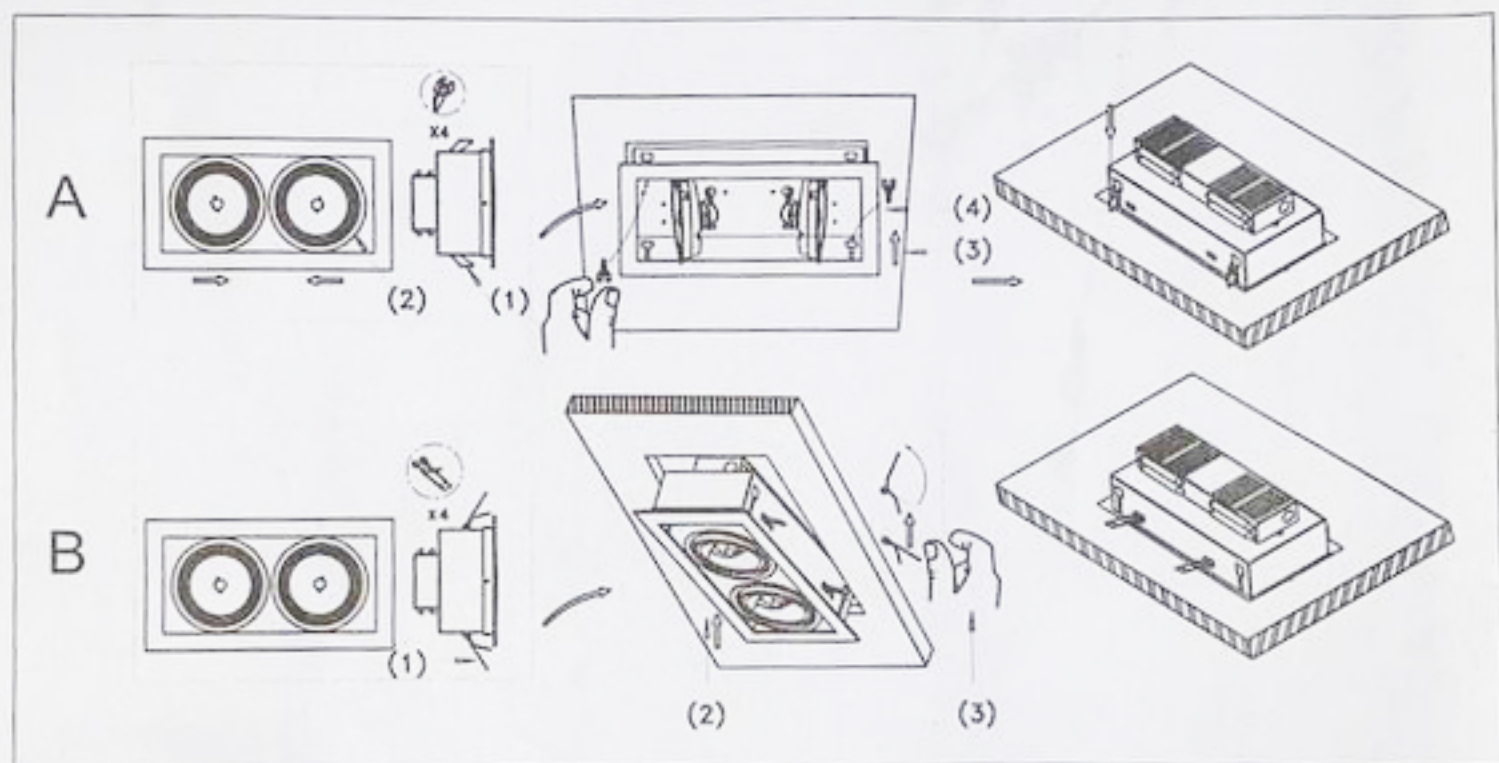
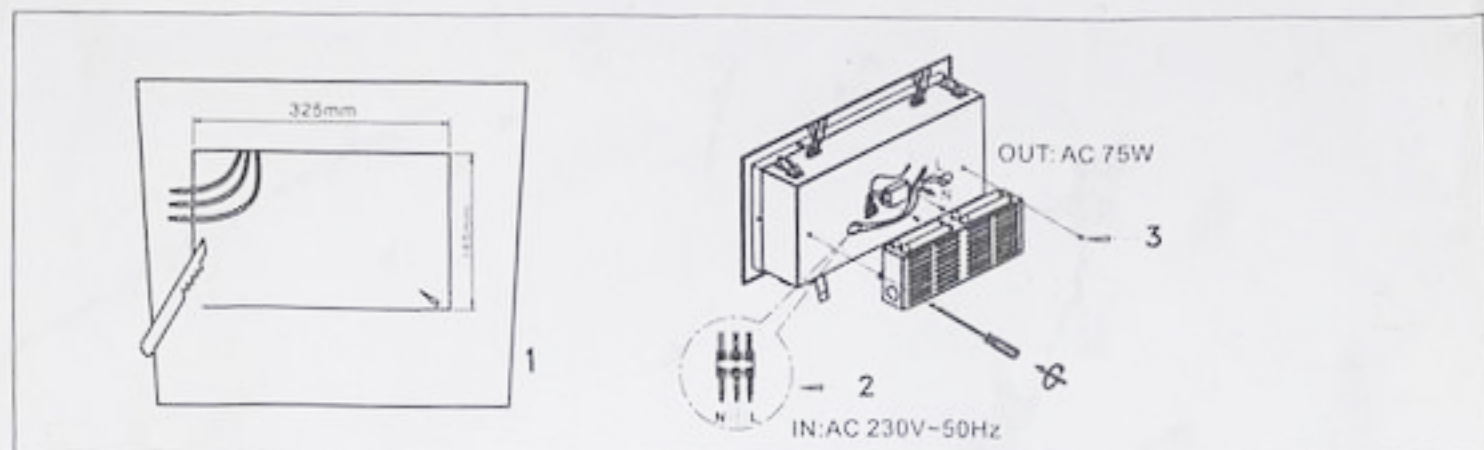


INSTALL MANUAL

ITEM NO.: 9570 9572 9574

230V~50Hz GU10 75Wx2



- 1: Ensure main supply is switched off, cut out a hole (325x165mm) on the ceiling;
- 2: Open back plate, use terminal block connect with drive input wire and main supply wires, then connect drive output wire and GU10 bulbs;
- 3: Fix the back plate with screws;

- (A)
- (1) Choose 4 pcs snap spring;
 - (2) Turn GU10 lamp cup as the drawing;
 - (3) Put the lamp body into the hole;
 - (4) Put the snap springs into the lamp body separately, then push the snap spring in the ceiling.

- (B)
- (1) Choose 4 pcs clamp spring;
 - (2) Put the lamp into ceiling hole;
 - (3) Use the clamp spring as the drawing, then make the lamp body cling on the ceiling.